

### Function description

Attention outdoor luminaires. Here comes the new house number. We have thought, pondered, tried, rejected and tested. For the most intelligent house number light we have ever built. For the first time, we have succeeded in integrating the sensor completely invisibly into a light source. The STE72 sensor outdoor luminaire as an LED uplight and downlight translates intelligence into looks and technology and stages your house number like no other. During development, we were also concerned with the value of the product in the future. Intelligent technology lasts and lasts - it is brighter, cooler and smarter. New: Continuous light 4 hours optional.

### Technical specifications

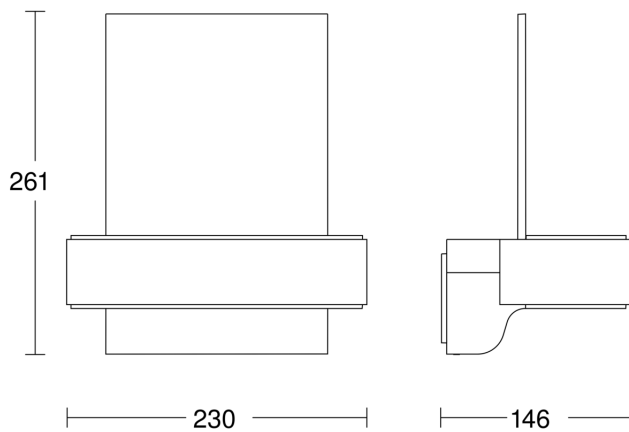
Dimensions (L x W x H)	145 x 230 x 260 mm	Reach, radial	r = 5 m (35 m <sup>2</sup> )
With lamp	Yes, LED lamp	Reach, tangential	r = 5 m (35 m <sup>2</sup> )
Manufacturer's Warranty	3 years	Photo-cell controller	Yes
Settings via	Potentiometers	Transmitter power	< 1 mW
With remote control	No	Luminous flux total product	679 lm
Version	Silver	Measured luminous flux (360°)	679 lm
PU1, EAN	4007841671327	Total product efficiency	69 lm/W
Application, place	Outdoors	Colour temperature	3000 K
Application, room	garden, front door, courtyard & driveway, all round the building, terrace / balcony	Lamp	LED cannot be replaced
Colour	Silver	Service life LED L70B50 (25°)	> 60000 h
includes sheet of self-adhesive numbers	Yes	Base	without
Installation site	wall	LED cooling system	Active and Passive Thermo Control
Impact resistance	IK03	Soft light start	Yes
IP-rating	IP44	Continuous light	selectable, 4h
		Functions	Motions sensor
		Twilight setting	2 – 2000 lx

### Technical specifications

Protection class	II
Ambient temperature	-20 – 40 °C
Housing material	Aluminium
Cover material	Plastic, opal
Mains power supply	220 – 240 V / 50 – 60 Hz
Output	9,8 W
Mounting height max.	2,50 m
Slave modeselectable	Yes
Sneak-by guard	Yes
Capability of masking out individual segments	No
Electronic scalability	Yes
Mechanical scalability	No

Time setting	5 s – 15 Min.
Basic light level function	Yes
Basic light level function time	10/30 min, all night
Interconnection	No
Basic light level function in per cent	10 %
Basic light level function percentage, from	10 %
Basic light level function percentage, up to	10 %
Colour Rendering Index CRI	= 82
Optimum mounting height	2 m

### Dimension Drawing



### Circuit diagram

