

**Function description**

Targeted detection all around the building. Infrared motion detector for indoors and out, ideal for targeted detection close to the building, 130° angle of coverage, reach up to 12 m, selectable time and twilight threshold, sensor turns through 50° and tilts through 90° for exact adjustment of the detection zone.

**Technical specifications**

Dimensions (L x W x H)	87 x 78 x 110 mm
Manufacturer's Warranty	3 years
Settings via	Potentiometers
With remote control	No
Version	white
PU1, EAN	4007841660314
Type	Motion detectors
Application, place	Outdoors, Indoors
Application, room	outdoors, front door, all round the building, terrace / balcony, courtyard & driveway
Colour	white
Colour, RAL	9010
Includes corner wall mount	No
Installation site	wall
Installation	Surface wiring, Wall
IP-rating	IP54

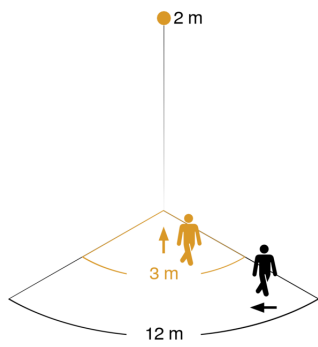
LED lamps > 2 W < 8 W	64 W
LED lamps > 8 W	64 W
Capacitive load in µF	88 µF
Sensor Technology	Passive infrared
Mounting height	1,80 – 3,00 m
Mounting height max.	3,00 m
Optimum mounting height	2 m
Detection angle	130 °
Angle of aperture	40 °
Sneak-by guard	Yes
Capability of masking out individual segments	Yes
Electronic scalability	No
Mechanical scalability	No
Reach, radial	r = 3 m (10 m <sup>2</sup> )
Reach, tangential	r = 12 m (163 m <sup>2</sup> )
Switching zones	260 switching zones

### Technical specifications

Ambient temperature	-20 – 50 °C
Material	Plastic
Mains power supply	230 – 240 V / 50 Hz
Switching output 1, resistive	600 W
Switching output 1, number of LEDs / fluorescent lamps	4 pcs.
Fluorescent lamps, electronic ballast	430 W
Fluorescent lamps, uncorrected	500 VA
Fluorescent lamps, series-corrected	500 VA
Fluorescent lamps, parallel-corrected	500 VA
Switching output 1, low-voltage halogen lamps	500 VA
LED lamps < 2 W	16 W

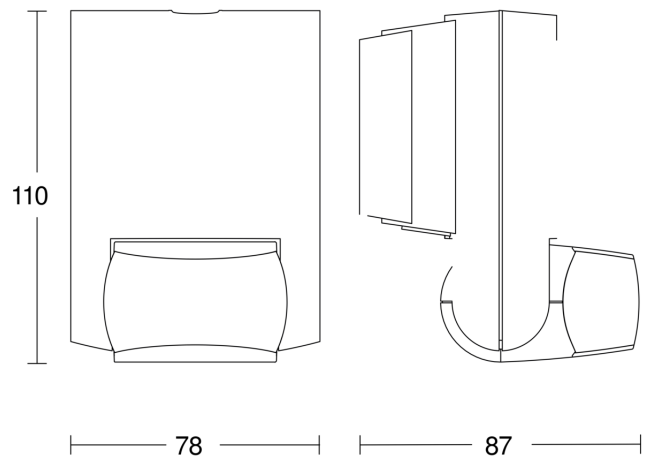
Twilight setting	2 – 2000 lx
Time setting	8 s – 35 Min.
Basic light level function	No
Main light adjustable	No
Twilight setting TEACH	No
Constant-lighting control	No
Interconnection	Yes
Type of interconnection	Master/master
Interconnection via	Cable

**Detection Zone**

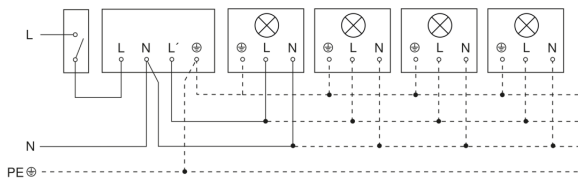


Mögliche Montagehöhe: 1,80 m – 3,00 m  
 Orange: radial  
 Schwarz: tangential

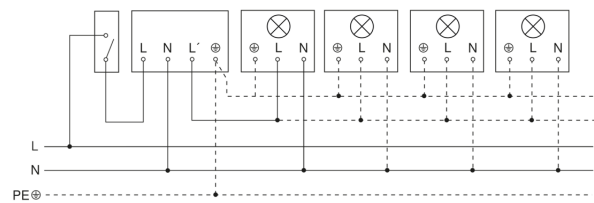
**Dimension Drawing**



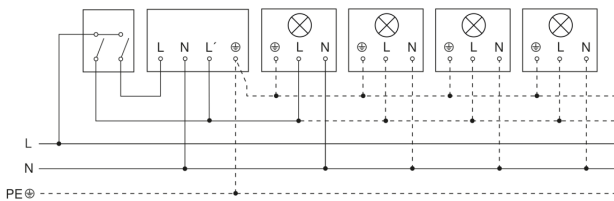
**Light without neutral conductor**



**Light with neutral conductor**



**Connection using two-circuit switch for manual and automatic operation**



**Circuit diagram Connection via a changeover switch for continuous and automatic operation**

