

Function description

Practical design. Practical sensor-switched outdoor light ideal for building entrances and building fronts, 180° angle of coverage, reach up to 10 m, selectable time and twilight threshold, includes sheet of house numbers.

Technical specifications

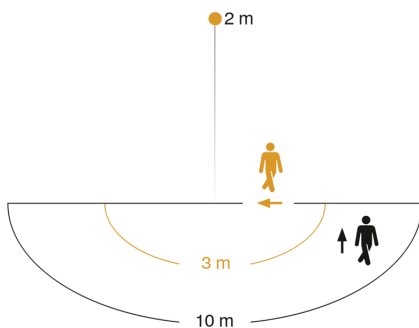
Dimensions (L x W x H)	120 x 110 x 255 mm	Power consumption	0,55 W
With lamp	No	Mounting height max.	3,00 m
Manufacturer's Warranty	3 years	Slave modeselectable	No
Settings via	Potentiometers	Sneak-by guard	Yes
With remote control	No	Capability of masking out individual segments	Yes
Version	white	Electronic scalability	No
PU1, EAN	4007841650513	Mechanical scalability	No
Application, place	Outdoors	Reach, radial	r = 3 m (14 m ²)
Application, room	outdoors, front door, all round the building, courtyard & driveway	Reach, tangential	r = 10 m (157 m ²)
includes sheet of self-adhesive numbers	Yes	Photo-cell controller	Yes
Installation site	wall	Cover material	sticker
Impact resistance	IK07	Lamp	All-purpose lamp
IP-rating	IP44	Base	E27
Protection class	II	Soft light start	No
Ambient temperature	-20 – 40 °C	Twilight setting	2 – 2000 lx
Housing material	Plastic	Time setting	8 s – 35 Min.
		Basic light level function	No

Technical specifications

Cover material	Plastic, opal
Mains power supply	230 – 240 V / 50 Hz
Output	60 W

Interconnection	No
Optimum mounting height	2 m

Detection Zone

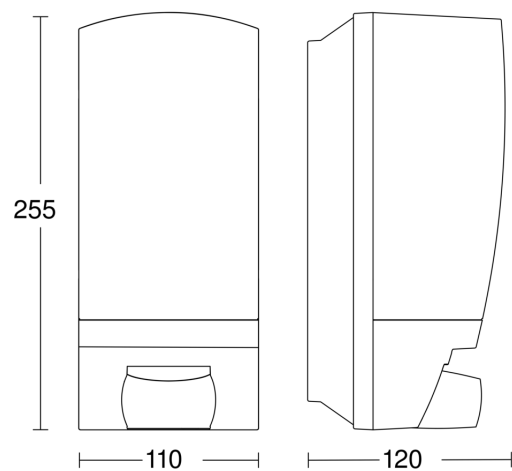


Mögliche Montagehöhe: 1,80 m – 3,00 m

Orange: radial

Schwarz: tangential

Dimension Drawing



Circuit diagram

