

STEINEL Vertrieb GmbH
Dieselstraße 80-84
33442 Herzebrock-Clarholz
Tel: +49/5245/448-188
www.steinel.de



Contact

www.steinel.de/contact

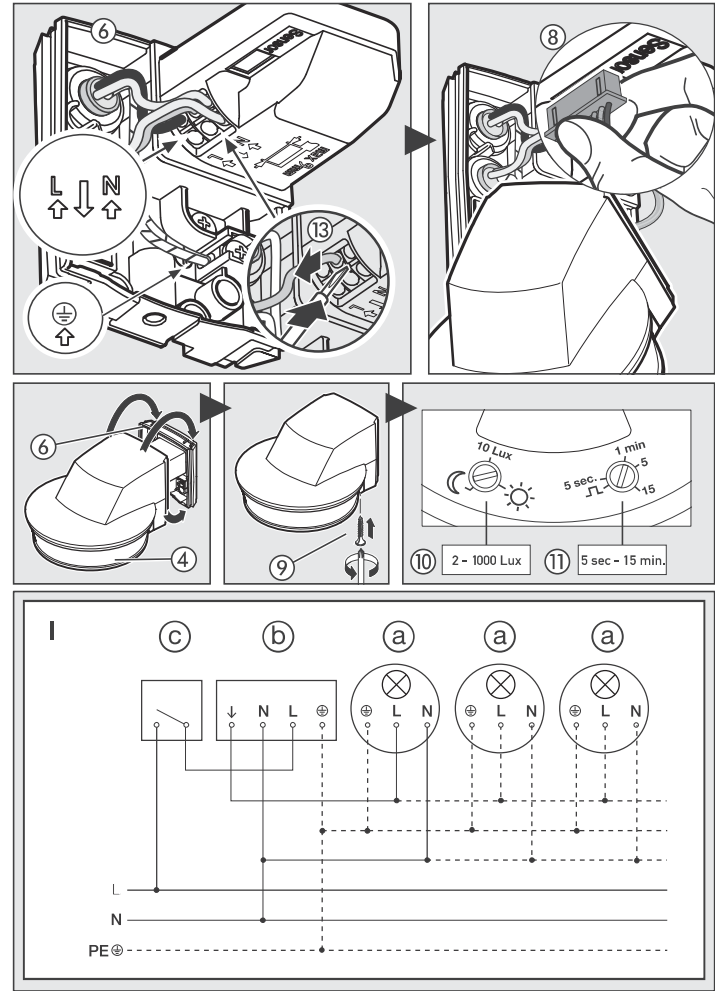
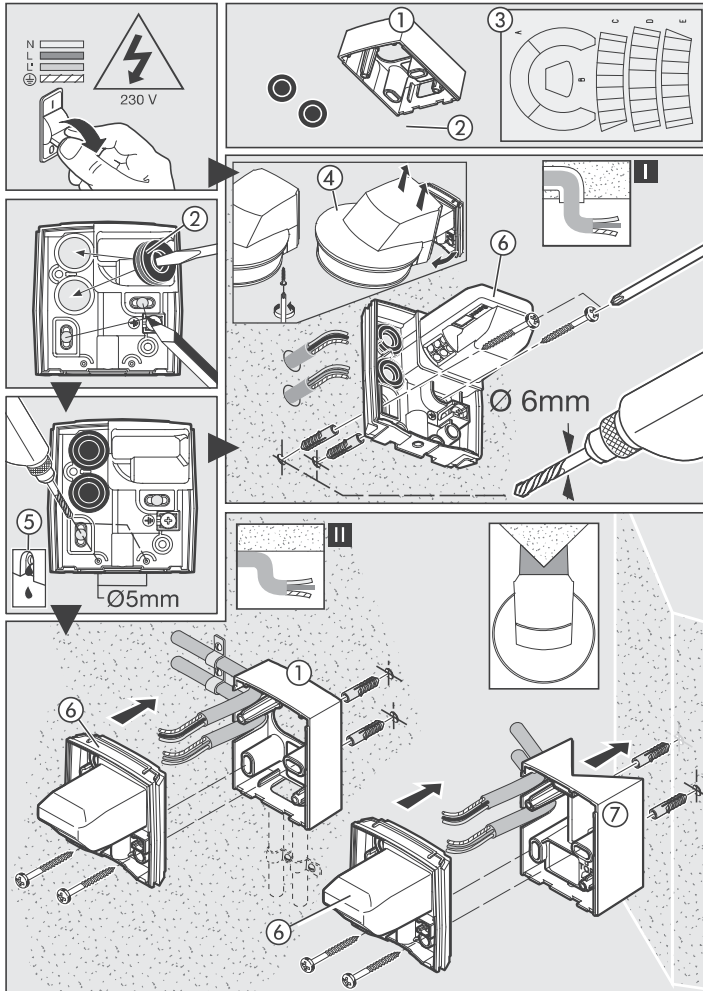


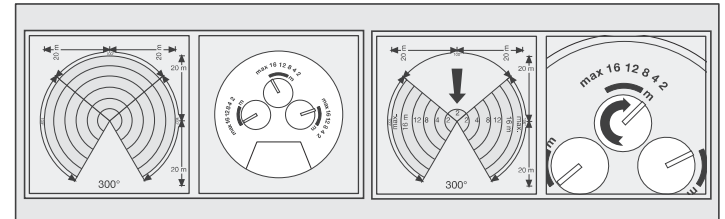
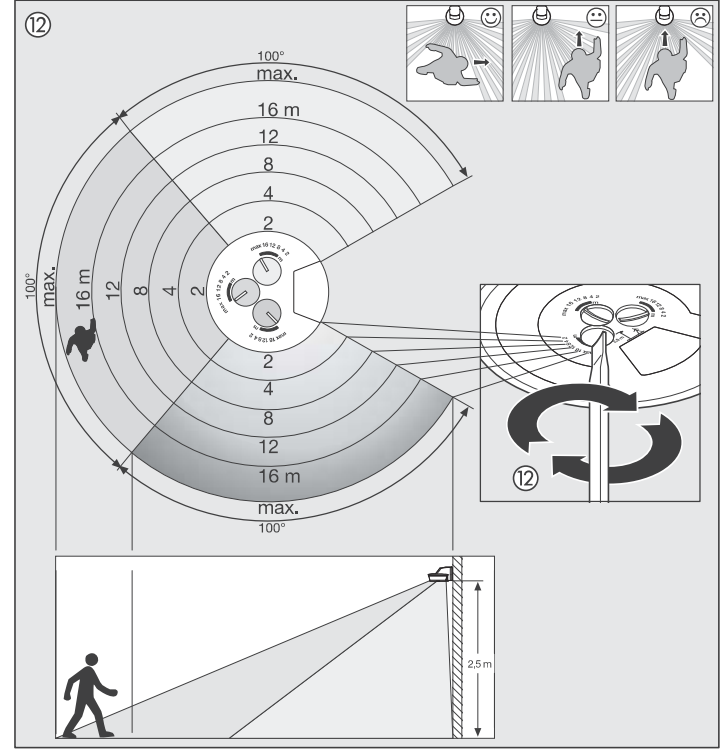
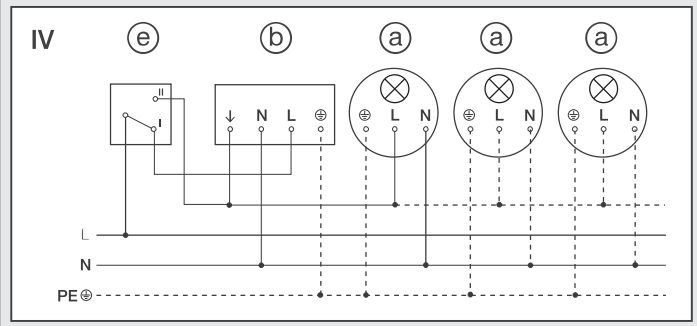
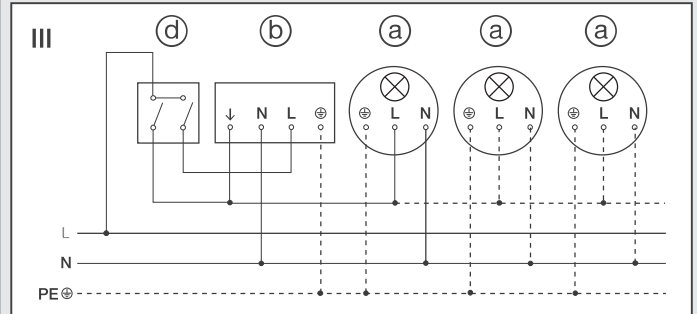
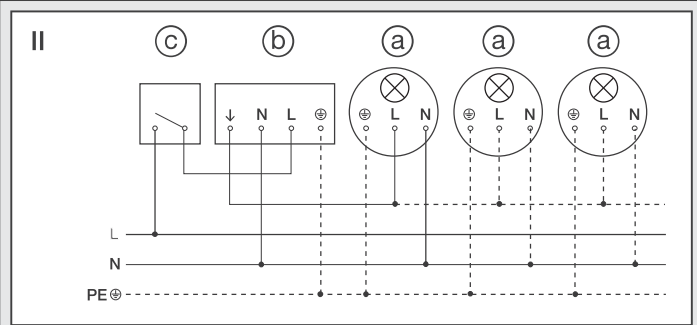
110071488 11/2019_A Technische Änderungen vorbehalten. / Subject to technical modification without notice.

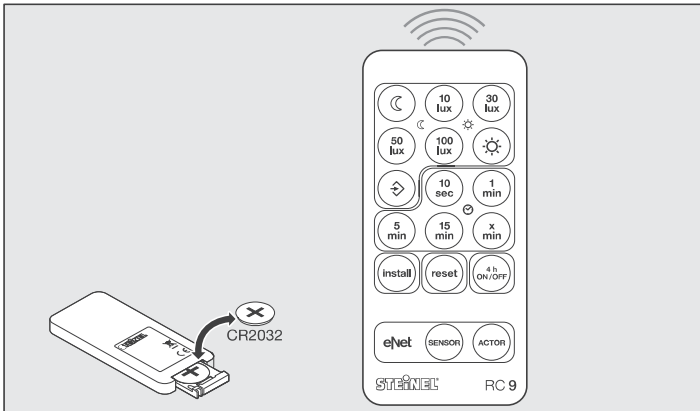
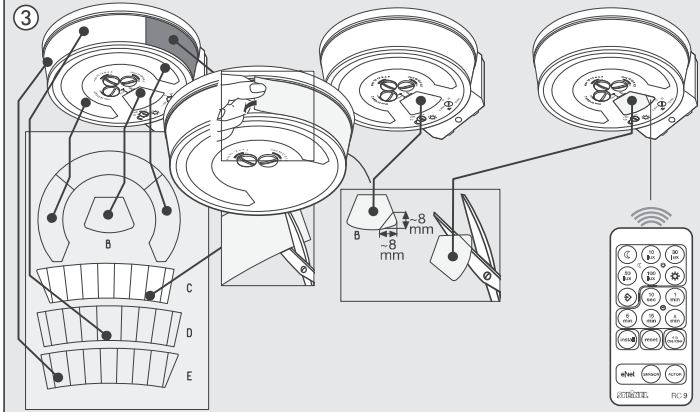
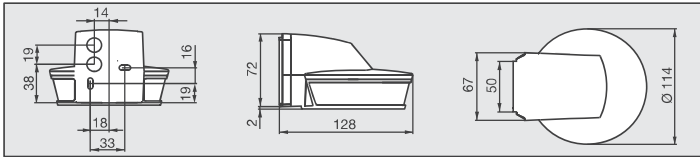
STEINEL®
PROFESSIONAL



DE
GB
FR
NL
IT
ES
PT
SE
DK
FI
NO
GR
TR
HU
CZ
SK
PL
RO
SI
HR
EE
LT
LV
RU
BG
CN







GB Installation instructions

Dear Customer,

Congratulations on purchasing your new STEINEL Infrared Sensor and thank you for the confidence you have shown in us. You have chosen a pioneering product that has been manufactured, tested and packed with the greatest care.

Please familiarise yourself with these instructions before attempting to install the sensor light because prolonged reliable and trouble-free operation will only be ensured if it is fitted properly. We hope your new Infrared Sensor will give you lasting satisfaction.

Principle

The unit is equipped with pyro sensors that detect the invisible heat emitted from moving objects (people, animals etc.). The heat thus detected is electronically converted and switches ON connected consumers (e.g.

a light). No heat radiation is detected through obstacles such as walls or panes of glass for example and consequently no switching occurs.

⚠ Safety warnings

- During installation, the electrical wiring you are connecting must be dead. Therefore, switch off the power first and use a voltage tester to check that the power supply is disconnected.
- Installing the sensor involves work on the mains power supply. This work must therefore be carried out professionally in

accordance with applicable national wiring regulations and electrical operating conditions. (DE-VDE 0100, AT-OVE/ÖNORM E 8001-1, CH-SEV 1000)

- Only use genuine replacement parts.
- Repairs may only be carried out by specialist workshops.

Installation

The site of installation should be at least 50 cm away from another light because heat radiated from it may activate the system. In order to achieve optimum detection, the sensor must be installed tangentially to the walking direction.

A corner wall mount is included for mounting on outside corners.

The mains supply lead is a 3-core cable (max. conductor Ø 9 mm):

L = phase (usually black, brown or grey)

N = neutral conductor

PE = protective-earth conductor Ⓧ

If the rubber seal is damaged, the cable entry openings must be sealed with an M 16 or M20 double seal cable gland.

A condensation water drainage hole is outlined in the housing ⑤. This can be opened for wall installation.

Wall mount ④ must be renewed if any subsequent change is made to wiring run.

To release the cable, the connection terminal must be pressed in with a flat-tip screwdriver at the notch provided for this purpose ⑬.

System components

① Surface-mounting adapter

② Sealing plug

③ Film shroud

④ Lens enclosure

⑤ Condensation water drainage hole

⑥ Wall mount / sensor unit

⑦ Corner wall mount

⑧ Plug-in terminals

⑨ Locking screw

⑩ Light-level setting

⑪ Time setting

⑫ Reach setting

Ⓜ Mains connection, concealed wiring

Ⓜ Mains connection, surface wiring

Connection examples

I Light without existing neutral conductor

II Light fitted with a neutral conductor

III Connection by means of two-circuit single-interruption switch for manual and automatic operation

IV Connection by means of two-way switch for manual override and automatic operation

Setting I: Automatic operation

Position II: Manual operation

Light ON permanently

Note: The system cannot be switched OFF, it is only possible to select operation at setting I or II.

- a) Loads, lighting of 2000 W max. (see Technical specifications)
- b) Sensor connection terminals
- c) Indoor switch
- d) Indoor series switch, manual, automatic
- e) Indoor two-way switch, automatic operation, manual override

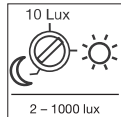
Technical specifications

Dimensions (H x W x D):	74 x 114 x 128 mm	
Output:	Incandescent / halogen lamp load	2000 W
	Fluorescent-lamp electronic ballasts	1500 W
	Fluorescent lamps, uncorrected	1000 VA
	Fluorescent lamps, series-corrected	700 VA
	Fluorescent lamps, parallel-corrected	1000 VA
	Low-voltage halogen lamps	1000 VA
	LED < 2 W	100 W
2 W < LED < 8 W	300 W	
LED > 8 W	600 W	
Capacitive load	176 µF	
Power supply:	100 - 240 V AC 50/60 Hz	
Minimum load:	3 W	
Angle of coverage:	300° with 180° angle of aperture, as well as sneak-by guard for coverage directly below the sensor. Capability of masking out individual segments	
Reach:	Adjustable in 3 directions independently from one another by control dial, (2 - 20 m max., temperature-stabilised)	
Sensor technology:	4 sensors, 6 levels for long-distance detection and 5 for sneak-by guard, 1360 switching zones	
Time setting:	5 sec. - 15 min., pulse mode	
Twilight setting:	2 - 1000 lux	
Manual override:	selectable (4 hrs.) / (by remote control only)	
Permanently OFF:	selectable (4 hrs.) / (by remote control only)	
IP rating:	IP54 through 2-component injection mould technology	

Functions on the unit

The system can be put into operation once the mains power has been connected and the unit is closed. The sensor first goes through a calibration cycle (40 – 50 sec.) (LED flashes once a second).

Several settings can then be made directly on the sensor or by remote control (see Remote control).

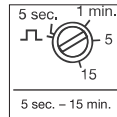


Twilight setting (response threshold) ⑩
(Factory setting: daylight operation 1000 lux)

The sensor's response threshold can be set to between approx. 2 lux and 1000 lux.

Note:

The desired twilight value can also be memorised by remote control.

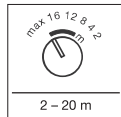


Time setting (switch OFF delay) ⑪
(Factory setting: approx. 10 sec.)

The time you wish the connected light to stay ON for can be infinitely adjusted from approx. 5 sec. to a maximum of 15 min.

Pulse mode:

Set the control dial to "JL" the unit is in pulse mode, i.e. the output is switched ON for approx. 2 sec. (e.g. for staircase lighting timer). Afterwards, the sensor does not react to movement for approx. 8 sec.



Reach setting ⑫
(Factory setting: max. reach)

Reach can be adjusted in 3 directions by 3 control dials (through 100° in each direction and independently of each another). The table shows reaches at different mounting heights for tangential walking direction. The values apply on flat terrain at a temperature of 20° C.

Film shrouds ⑬

If the independent settings of the 3 sensors are not sufficient, the detection zone can be restricted further by fitting film shrouds C, D, E (see Fig.). Film shrouds A + B under the sensor help to prevent the detection of small animals. This, of course, takes the lenses out of action and in particular results in loss of the sneak-by guard.

Note: The remote control does not work when using film shroud A (see Fig. ③).

Advice: Apply a solution of water and detergent to the lens before fitting the film shroud.

This way, the film does not firmly stick on immediately and gives you time to make precision adjustments. Once the cleaner is dry, the film adheres.

RC9 remote control functions

Principle

The eNET RC9 remote control makes larger-scale lighting systems easier to install as it avoids the need to set each light/sensor prior to installation.

Functions:



1 Light-level setting

The chosen response threshold can be selected at the press of a button.



2 Daylight operating mode

(depending on ambient light level - 1000 lux)



3 Night mode (2 lux)



4 Light-level setting via the memory button / teach mode.

This button must be pressed at the level of light at which you want the sensor to respond to movement from now on. The current value is stored.



5 Time setting

The period of time you want the light to stay ON for after the last detected movement can be set to 10 s, 1 min, 5 min or 15 min by pressing these buttons.



6 Setting the light to stay ON for a time of your own choice. Each press of the button increments the current time setting by 1 min (up to 15 min).



7 Pressing this button in sensor mode switches the light ON for 4 hours (the status LED lights up permanently). Pressing this button in 4 h ON mode switches the light OFF for 4 hours (the status LED lights up permanently).

Any number of lights/sensors can be controlled via the remote control. The eNET buttons are without any function for the sensIQ S.



8 Install mode (test mode)

The 4 h mode is terminated after the time elapses, by pressing the reset button or by pressing the 4 h button in the 4 h OFF mode.

Install mode has the purpose of checking for proper working order as well for testing the detection zone. Irrespective of light level, the light switches ON for 5 s in response to movement. Movement is signalled by the status LED.

Install mode has priority over all other settings. Install mode ends automatically after 10 minutes.

Install mode ends immediately after pressing reset.

Note: Teach mode and Install mode cannot be used at the same time.



9 Reset

Resets all settings to the values selected on the light manually or to the factory settings.

Accessories (optional)

Smart Remote EAN 4007841 009151
- Replaces the remote control RC9
- Control via smartphone or tablet
- Download appropriate app and connect via Bluetooth
- For identifying the sensor and reading parameters

Detailed descriptions are provided in the operating instructions for the particular remote controls.

Troubleshooting

Malfunction	Cause	Remedy
Sensor without power	<ul style="list-style-type: none"> ■ Fuse has blown; not switched ON; break in wiring ■ Short circuit 	<ul style="list-style-type: none"> ■ New fuse, turn on power switch, check wiring with voltage tester ■ Check connections
Sensor will not switch ON	<ul style="list-style-type: none"> ■ Twilight setting in night-time mode during daytime operation ■ Bulb faulty ■ Mains power switch OFF ■ Fuse faulty ■ Detection zone not correctly adjusted 	<ul style="list-style-type: none"> ■ Adjust setting ■ Change bulb ■ Switch ON ■ Replace fuse, check connection if necessary ■ Re-adjust
Sensor will not switch OFF	<ul style="list-style-type: none"> ■ Continued movement within the detection zone ■ Light is in detection zone and keeps switching ON as a result of temperature change ■ Light being operated is in the manual override mode (LED ON) 	<ul style="list-style-type: none"> ■ Check zone and readjust if necessary or fit shrouds ■ Adjust detection zone or fit shrouds ■ Deactivate manual override
Sensor keeps switching ON/OFF	<ul style="list-style-type: none"> ■ Light being operated in the detection zone ■ Animals moving in detection zone 	<ul style="list-style-type: none"> ■ Adjust detection zone or fit shrouds, increase distance ■ adjust zone, or apply shrouds
Sensor responds when it should not	<ul style="list-style-type: none"> ■ Wind is moving trees and bushes in the detection zone ■ Cars in the street are detected ■ Sunlight is shining on the lens ■ Sudden temperature changes due to weather (wind, rain, snow) or air expelled from fans, open windows 	<ul style="list-style-type: none"> ■ Change zone ■ Change zone ■ Mount sensor in a protected place or change zone ■ Adjust detection zone or install in a different place
Change in sensor's reach	<ul style="list-style-type: none"> ■ Differing ambient temperatures 	<ul style="list-style-type: none"> ■ Adjust reach by reach controller (10), if necessary applying film shrouds (11)

Operation/Maintenance

The infrared sensor can be used for switching light ON and OFF automatically. The unit is not suitable for burglar alarm systems as it is not tamperproof in the manner prescribed for such systems. Weather conditions may affect the way the motion detector works. Strong gusts of wind, snow, rain or hail may cause the light

to come ON when it is not wanted because the sensor is unable to distinguish sudden changes of temperature from sources of heat. The detector lens may be cleaned with a damp cloth if it gets dirty (do not use cleaning agents).

Disposal

Electrical and electronic equipment, accessories and packaging must be recycled in an environmentally compatible manner.



Do not dispose of electrical and electronic equipment as domestic waste.

EU countries only:

Under the current European Directive on Waste Electrical and Electronic Equipment and its implementation in national law, electrical and electronic equipment no longer suitable for use must be collected separately and recycled in an environmentally compatible manner.

Manufacturer's warranty

As purchaser, you are entitled to your statutory rights against the vendor. If these rights exist in your country, they are neither curtailed nor restricted by our Warranty Declaration. We guarantee that your STEINEL Professional sensor product will remain in perfect condition and proper working order for a period of 5 years. We guarantee that this product is free from material-, manufacturing- and design flaws. In addition, we guarantee that all electronic components and cables function in the proper manner and that all materials used and their surfaces are without defects.

For information on making claims under the terms of the warranty, please go to www.steinel-professional.de/garantie

If you have a warranty claim or would like to ask any question regarding your product, you are welcome to call us at any time on our Service Hotline **01733 366700**.

5 YEAR
MANUFACTURER'S
WARRANTY

Making Claims

If you wish to make a claim, please send your product complete and carriage paid with the original receipt of purchase, which must show the date of purchase and product designation, either to your retailer or contact us at **STEINEL (UK) Limited, 25 Manasty Road, Axis Park, Orton Southgate, Peterborough, PE2 6UP**, for a returns number. For this reason, we recommend that you keep your receipt of purchase in a safe place until the warranty period expires. STEINEL shall assume no liability for the costs or risks involved in returning a product.