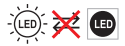


Technical data

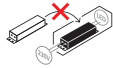
Supply Voltage: 220-240 V~, 50 Hz

Bulb Type:	107632: 10W LED module (SMD), 4000K	107636: 100W LED module (SMD), 4000K
	107633: 20W LED module (SMD), 4000K	107637: 150W LED module (SMD), 4000K
	107634: 30W LED module (SMD), 4000K	107638: 200W LED module (SMD), 4000K
	107635: 50W LED module (SMD), 4000K	

This product contains a light source of energy efficiency class **F**.



Non-replaceable light source



Non-replaceable control gear



Conformity with all relevant UKCA Directive requirements.



Conformity with all relevant EC Directive requirements.



This is a Class 1 product and must be earthed.



Waste electrical products should not be disposed of with household waste. Please recycle where facilities exist. Check with your Local Authority or local store for recycling advice.



Caution! Risk of electric shock!



This product is rated at IP65.



This product is rated at IK08.

Care and Safety

We recommend cleaning with a soft dry cloth. Do not use solvents or abrasive cleaners as these could damage the finish. For your safety, always switch off the power supply before cleaning.



This LED's are protected by the glass shade. The shade part must be replaced immediately should it become cracked or damaged. This fitting must not be used without the glass shade in place.

Instruction manual

Guard Floodlight

107632, 107633, 107634, 107635, 107636, 107637, 107638



For further information, please visit <https://www.lighting-info.co.uk/107632>

V4 20/11/2023

UK Manufacturer: BH17 7BY

EU Manufacturer: Brilliant AG,

Brillantstrasse 1, D-27442 Gnarrenburg

saxby
lighting

www.saxbylighting.com

saxby
lighting

Thank you for purchasing this light fitting. Please read the instructions carefully before use to ensure safe and satisfactory operation of this product. Please retain these instructions for future reference.

Warning

This is a Class 1 product and must be earthed.

Please read these instructions carefully before commencing any work

This unit must be fitted by a competent and qualified electrician.

Install in accordance with the IEE Wiring regulations and current Building Regulations.

Check the pack and make sure you have all the parts listed.

To prevent electrocution switch off at the mains supply before installing or maintaining this fitting. Ensure other persons cannot restore the electrical supply without your knowledge. If you are in any doubt, please consult a qualified electrician.

If replacing an existing fitting, make a careful note of the connections.

The entire unit gets hot whilst on for a period of time.

This product is not suitable for location in or near a marine environment.

Waste electrical products should not be disposed of with household waste. Please recycle where facilities exist. Check with your local authority or retailer for recycling advice.

Layout

Plan the desired layout of these fittings carefully, ensuring the cables will reach the distances between fittings.

Avoid locating any cables in positions that would cause a hazard. Position cables and outdoor rated junction boxes (not supplied) away from areas where they may be at risk from being cut, trapped or damaged.

This product is supplied with 0.8 metres of H05RN-F outdoor grade rubber sheathed cable ready for connection to an approved, outdoor rated terminal block which is not supplied and must be obtained.

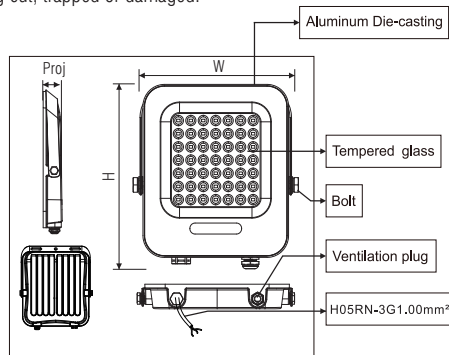
The mains supply cable must have a minimum cross section area of 1.0mm².

The external flexible cable or cord of this luminaire cannot be replaced. If the cord is damaged, the luminaire must be destroyed.

Cables must be protected using suitable conduit or plastic trunking.

This is a floodlight product, and therefore should be positioned where it will not cause a glare hazard.

This product is suitable use for outdoor.



Product Code	Weight	Max. Projected Area	Dimensions
107632(10W)	0.234kg	0.0087m ²	Proj: 21.3mm H: 106.3mm W: 97.4mm
107633(20W)	0.299kg	0.0125m ²	Proj: 22.8mm H: 126.2mm W: 121.3mm
107634(30W)	0.468kg	0.0216m ²	Proj: 31.4mm H: 165mm W: 154mm
107635(50W)	0.663kg	0.0320m ²	Proj: 31.8mm H: 200.9mm W: 182.8mm
107636(100W)	0.922kg	0.0464m ²	Proj: 33mm H: 239.3mm W: 216.5mm
107637(150W)	1.326kg	0.0613m ²	Proj: 33.1mm H: 272.5mm W: 249.4mm
107638(200W)	2.156kg	0.0817m ²	Proj: 33.1mm H: 313.5mm W: 283.7mm

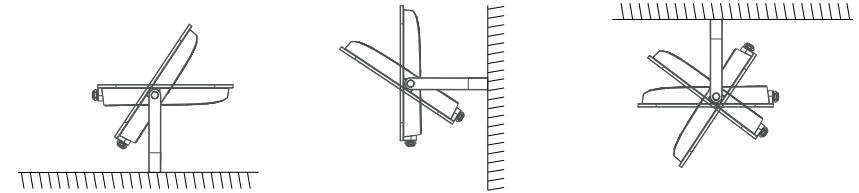
Installation

Existing fittings must be completely removed before installation of a new product. Before removing the existing fitting, carefully note the position of each set of wires.

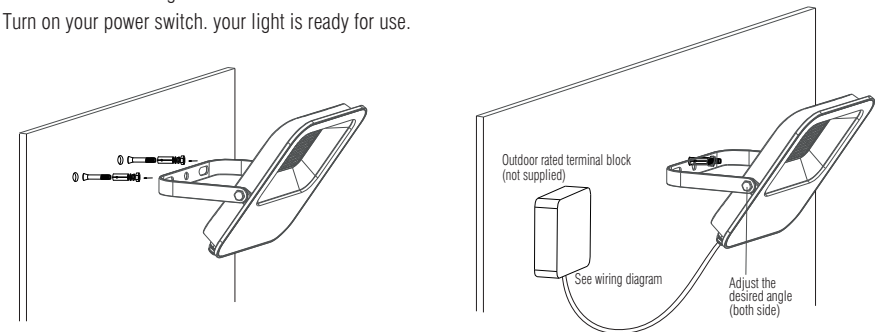
Note that the switch is turned off before installation.

Do not mount ceiling/wall fittings onto damp surfaces such as newly painted or plastered areas as this may cause discolouration of the finish.

Lights can install on the ground, wall or ceiling according to actual situation with suitable expansion bolt (not supplied) fixing according to light's bracket.

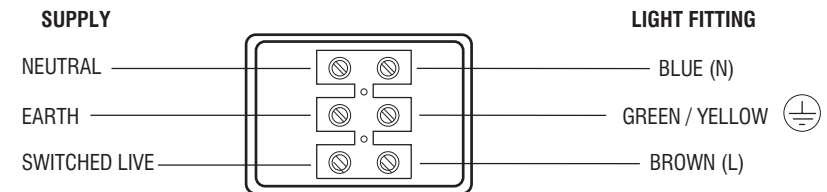


- Hold the product in position and mark the location of the fixing holes. The bracket can be removed from the fitting for ease of installation.
- Fix the bracket to the wall using the expansion bolt (not supplied). Take care to avoid damaging any concealed wiring and pipes. The correct fixings should be used for brick or cavity walls.
- Using the Allen key (not supplied), loosen the bolts on the both side, and adjust the fitting to the desired angel.
- Wire as detailed wiring.
- Turn on your power switch. your light is ready for use.



Wiring

Having correctly identified the wiring from your existing light fitting, pull the mains wire through the hole and connect to an approved outdoor rated terminal block(not supplied) in the following way:



Check that...

You have correctly identified the wires.

The connections are tight.

No loose strands have been left out of the connection block.