

78637

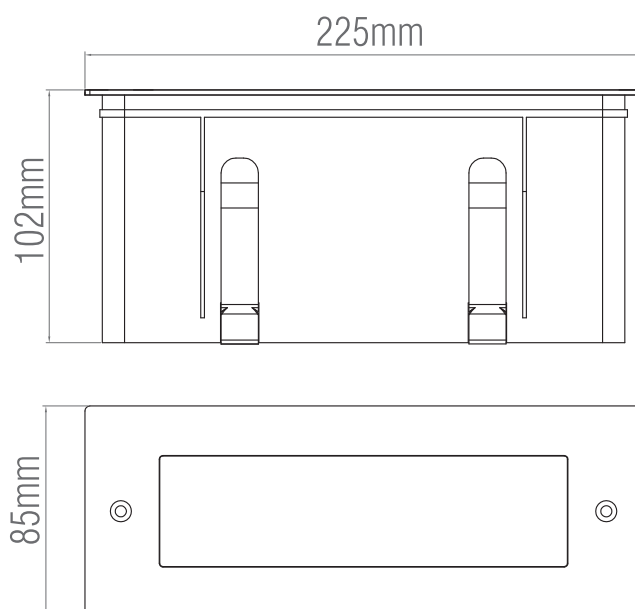
Seina Plain

FEATURES

- 3 years (2 years + 1 years) extended warranty
- Marine grade brushed stainless steel & frosted PC finish
- Constructed from marine grade stainless steel (316) & polycarbonate
- IP44

SPEC DATA

Lamp Specification:	3.5W
Product Lumen:	200
Product Lumen/W:	57
Kelvin:	4000
Energy Rating:	A++
Dimmable:	No
Beam Angle:	80°
Power Factor:	0.44
Lifetime (Hours):	25000
LED chip:	San'an
SDCM:	6
Product Voltage:	220-240V
Hertz:	50/60
Surge Protection (KV):	1
Operating Temp.:	-20 to 40 Degree
Product Weight (KG):	0.61
Cut-out (mm):	H:65 x W:215
Minimum Cavity Depth (mm):	102.5
Cable Length (m):	0.2m
Cable Spec.:	H05RN-F
Class:	2



ACCESSORIES

- 90131, Inline IP68 connector straight
- 90132, Inline IP68 connector tee
- 78641, Seina warm white module IP44 3.5W