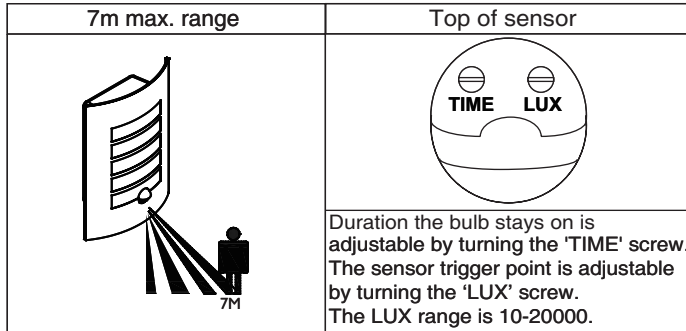


PIR Adjustment (75931)

- The unit must be installed in a vertical position, and the optimum mounting height is 1.5m-2m above the ground
- The detection angle is set at 90 degrees. The duration that the lamp stays on can be altered from 10

seconds(± 5 seconds) - 4 minutes(± 1 minute). Use a small screwdriver to adjust the 'TIME' and 'LUX' screws. To access the adjustment screws flip down the cover over the PIR sensor.



To access the adjustment screws flip down the grey cover over the PIR sensor.

Fitting/replacing bulb

The LED Module in these products is non-replaceable.

Care and Cleaning

Do not use solvents or abrasive cleaners as these could damage the finish.

In some cases, surface corrosion may arise after installation. This is normally caused by tiny iron particles left behind after the brushing process when finishing.

In normal circumstances, stainless steel is very resistant to corrosion. It does however require maintenance to preserve the high quality appearance. Wash the product with warm soapy water, removing all surface deposits. Rinse with clean water and with a soft cloth, wipe dry.

Then with a soft cloth soaked with a protective oil, wipe all over. If the product is subject to extreme environmental conditions such as marine locations, industrial pollution and acid rain these maintenance procedures should be carried out around four times a year. For severe corrosion, non-abrasive cream cleaners or proprietary stainless steel cleaners should be used to remove the corrosion. Wash and dry as detailed above. Then with a soft cloth soaked with a protective oil, wipe all over.

Do not clean the units with a pressure washer.

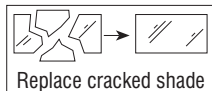
Recycling advice



Waste electrical products should not be disposed of with household waste. Please recycle where facilities exist. Check with your Local Authority or retailer for recycling advice.

Safety information

For your safety, always switch off the supply before cleaning.



This LED Module is protected by a shade. This part must be replaced immediately should the shade become cracked or damaged. This fitting must not be used without the shade in place.

Iss 3 14032018

Instruction leaflet

Bianco LED Wall

75930, 75931



Thank you for purchasing this light fitting. Please read the instructions carefully before use to ensure safe and satisfactory operation of this product. Please retain these instructions for future reference.

Warning



This product is Class 2 (Double insulated) and must not be earthed.

Please read these instructions carefully before commencing any work.

This unit must be fitted by a competent and qualified electrician.

Install in accordance with IEE Wiring regulations and current Building Regulations.

To prevent electrocution switch off at mains supply before installing or maintaining this fitting. Ensure other persons cannot restore the electrical supply without your knowledge. If you are in any doubt, please consult a qualified electrician.

This light fitting should be connected to a circuit with a 30mA RCD fitted.

If replacing an existing fitting, make a careful note of the connections.

Waste electrical products should not be disposed of with household waste. Please recycle where facilities exist. Check with your local authority or retailer for recycling advice.

This product is rated at IP44.

This product is not suitable for location in or near a marine environment.

Specification

Voltage:	240V 50Hz a.c.
Lamp:	7W LED Module - 3000K
Lumens:	350
IP rating:	44

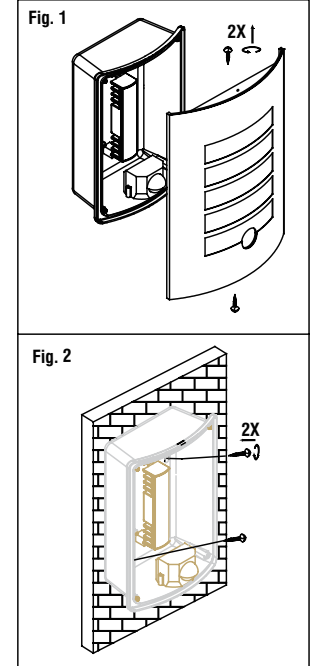
Layout

- Cables in walls must be protected using suitable conduit or plastic trunking.
- We recommend that you use H05RN-F specification cable (not supplied) which is an outdoor grade, rubber sheathed cable. The mains supply cable must have a minimum cross sectional area of 1.0mm
- This product has special protection against the ingress of moisture and is IP44 rated.

Installation

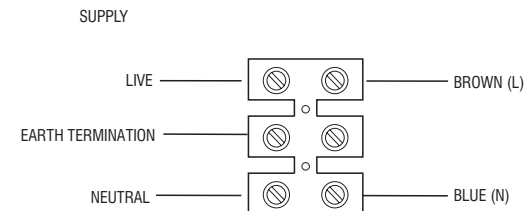
Existing fittings must be completely removed before installation of a new product. Before removing the existing fitting, **carefully note the position of each set of wires**.

- Remove mounting box from product by removing the screws located at the top and bottom of the front panel. Keep screws safe for refitting later. See Fig. 1.
- Using the mounting box as a template, mark and drill the fixing holes. Ensure the wall is capable of holding the weight of the product. Take care to avoid damaging any concealed wiring and pipes.
- Carefully pierce a small hole in the rubber gasket in the centre of the mounting box to allow the cable to pass through.
- Thread the cable through the hole, ensuring the drain hole is at the base of the mounting box.
- Attach the mounting box to the wall using the supplied fixings. The correct fixings should be used for brick or cavity walls. See Fig. 2
- Wire as detailed below



Wiring

Having correctly identified the wiring from your existing light fitting, pull the wire through the hole and connect to the connection block inside the product in the following way (spare terminal is provided for earth termination if needed):



Check that...

- You have correctly identified the wires
- The connections are tight
- No loose strands have been left out of the connection block.

Commissioning

- Ensure that the cable is not snagged and seal to maintain the IP rating of the product.
- Reattach the front panel to the mounting box by refitting the screws set aside earlier.
- Replace fuse or circuit breaker and switch on. Your light is now ready for use.