

Instruction leaflet

---

# Switch Accessories

61657, 61658, 61659, 61660



CE

saxby  
lighting

Thank you for purchasing this product. Please read the instructions carefully before use to ensure safe and satisfactory operation of this product. Please retain these instructions for future reference.

## Warning

### This product is Class 3 (low voltage)

Please read these instructions carefully before commencing any work.

This unit must be fitted by a competent and qualified electrician.

Install in accordance with IEE Wiring regulations and current Building Regulations.

This product contains non-replacable parts and cannot

be serviced. If damage occurs the part should be scrapped.

Waste electrical products should not be disposed of with household waste. Please recycle where facilities exist. Check with your local authority or retailer for recycling advice.

## Switch Specifications/Functions

### 61657 touch switch function

- Operation voltage: 12V DC
- Max. Load: 24W
- 4 step touch dimmer
- Touch first time - Light ON at highest light level
- Touch second time - Middle light level
- Touch third time - Lowest light level
- Touch fourth time - Light OFF

### 61658 IR sensor switch function

- Operation voltage: 12V DC
- Max. Load: 24W
- Shake hand - Light ON
- Shake hand - Light OFF
- Detection distance - 10cm

### 61659 PIR sensor switch function

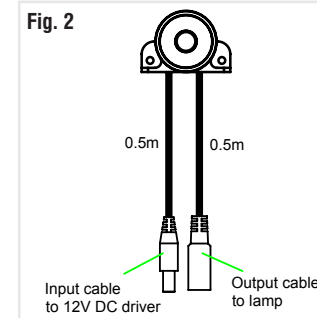
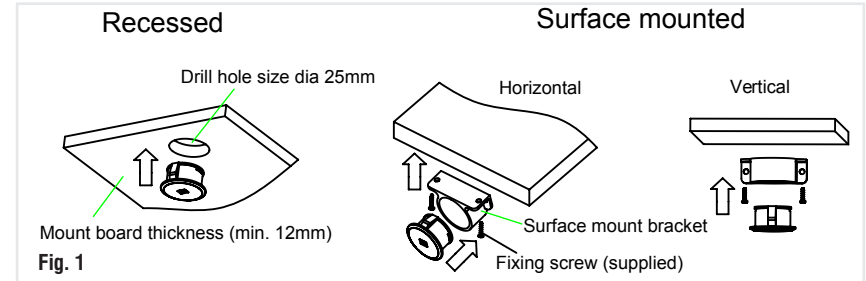
- Operation voltage: 12V DC
- Max. Load: 24W
- Human move - Light ON
- Human leave 25 second - Light OFF
- Detection distance - 1.5m
- Detection angle 120 degree

### 61660 push switch function

- Operation voltage: 12V DC
- Max. Load: 24W
- Push - Light ON
- Push - Light OFF
- Blue LED indicator light on switch

## Basic Installation

- These switch accessories can be surface mounted using the supplied bracket or can be recessed without the bracket (Fig. 1)
- For surface mounted fitting, these switch accessories can be fixed horizontally or vertically by fixing the bracket onto the mounting surface by the fixing screws provided (Fig. 1)
- Ensure the input cable is connected to 12V DC driver and the output cable is connected to the lamp (Fig. 2)



## Recycling advice



Waste electrical products should not be disposed of with household waste. Please recycle where facilities exist. Check with your Local Authority or retailer for recycling advice.

## Safety information

For your safety, always switch off the supply before maintaining or cleaning.