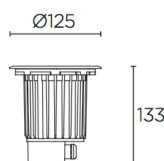


GEA Power Led Pro Uplight recessed

**Description**

Floor recessed

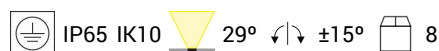
For uplighting. Electronic components are in a sealed internal compartment, completely separate from the compartment where the connection terminals are located. The unit will withstand a static weight of 1,800 Kg and the occasional transit of slow-moving vehicles. Includes flush-mounting box. Suitable for installation in marine environments. Includes 2 cable outlets to facilitate chain mounting. Cable meters included: 2.5. Adjustable light source. Structure material: Stainless steel AISI316, High purity aluminium. Structure finish: Polished, Black. Diffuser material: Glass. Diffuser finish: Tempered. UV protection. Warranty: 5 Years.

Finish

Polished
Black
Tempered

Material

Stainless steel AISI316
High purity aluminium
Glass

**TECHNICAL CHARACTERISTICS****Light source**

Light source: LED CREE
Output (W): 6 W
Total power consumption (W): 8 W
Color temperature: Neutral white - 4000K
CRI: 80
Real Lumen: 730
Nominal Lumen: 785
Qty Leds: 3
Lm/Real W: 122
Life Time: 60.000h L90B10
Bin / Grup: 5A3 o 5D2
MacAdam steps: 3 STEPS
UGR: 9.4
Photobiological risk: RG2

GEAR

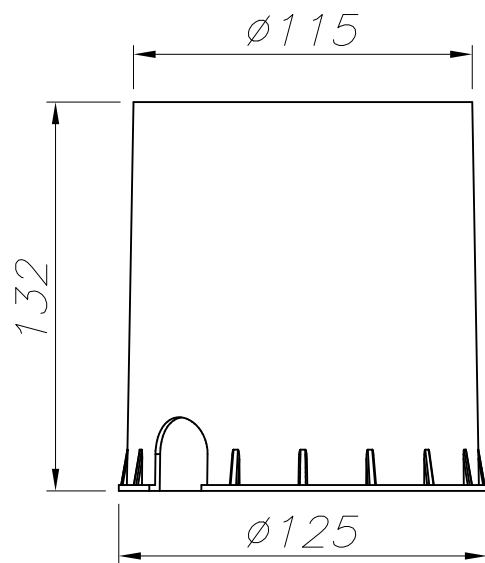
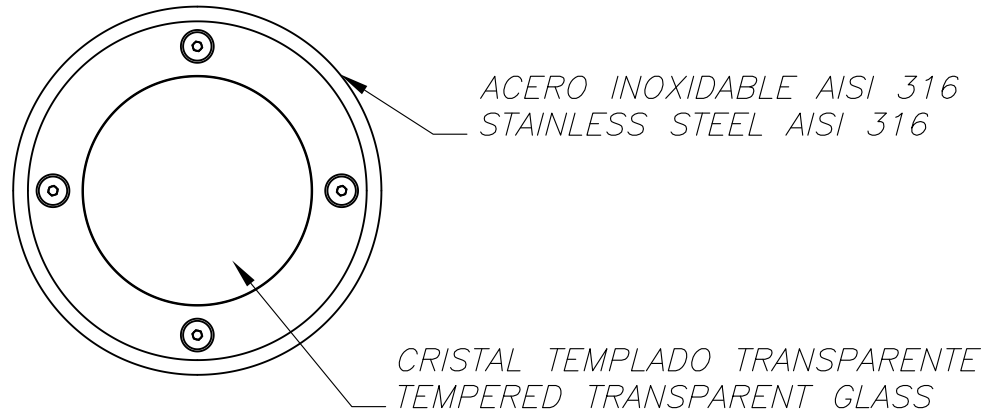
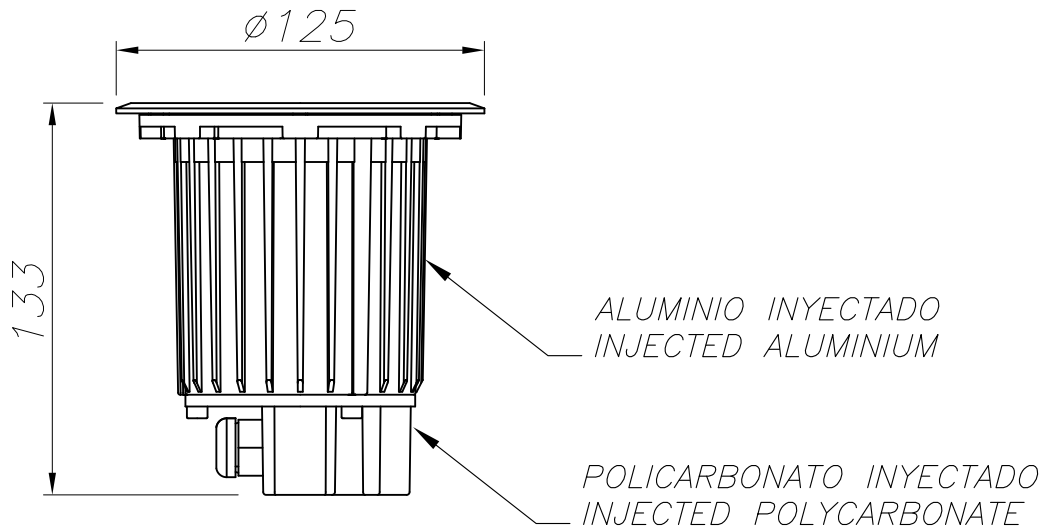
Brand: EAGLERISE
Gear included: Yes, electronic
Voltage / Frequency:
100-240V/50-60Hz
Power Factor: 0.82
Flickering: 2.8%

Luminaire

Double cable exit: Yes
Drainage: Yes
Recessed: Si
Public Areas: 2000
Seaside: Yes
Cable meters included: 2.5
Uv Protection: Yes
Warranty: 5 Years

Logistics

Energy Efficiency: LED A++
EAN Code: 8435381498238
Net Weight (Kg): 1.010
Packing: - x - x -
Masterbox: 8



CAJA DE EMPOTRAR
FLUSH FITTING BOX

