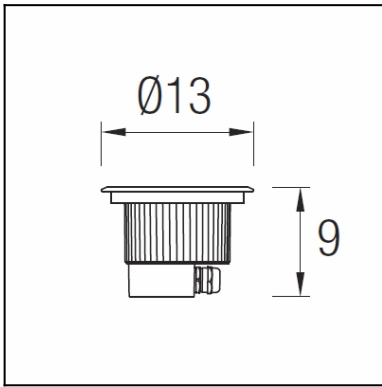
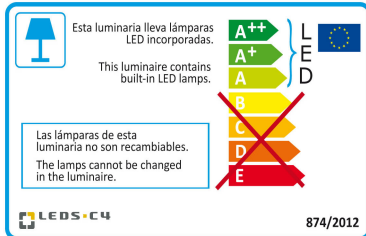




The photograph may not match the reference exactly. Please read the product description to identify the finish.



[Download photometric file .ldt /.ies](#)



[Click on image to download energy label](#)

TECHNICAL CHARACTERISTICS

Type:	UPLIGHT RECESSED
Adjustable:	Adjustable $\pm 15^\circ$ on the vertical axis
IP Protection degrees:	IP67
IK Protection degrees:	IK10
Light source 1:	3 x LED Cree 3W Neutral white - 4000K 321 lm ^(N) CRI 75
Total power consumption (W):	4.3
Angle of the optics / Reflector:	25°, 45° filter diffuser
Voltage / Frequency:	100-240V/50-60Hz
Warranty (Years):	2
Option to extend the guarantee (Years):	5
Units per box:	4
Net Weight (Kg):	1.05
EAN:	8435381400200



MATERIALS / FINISHES

Structure material:	Stainless steel AISI316 High purity aluminium	Diffuser material:	Glass
Structure finish:	Polished Black	Diffuser finish:	Tempered

GEAR

Multi-voltage electronic gear included (100-240V / 50-60Hz)

Lm^(N): Nominal flow of light in actual working conditions. Its actual flow will depend on the environmental conditions and the efficiency of the optics and/or diffuser.

LEDS-C4 reserves the right to make the necessary technical changes they deem adequate, in order to improve the features of the product.

Please consult the sales team to clarify any doubt.

Report No.: 20130408002

Test Time: 2013-04-08 11:21

Luminaire Property

Luminaire Manufacturer: LEDS-C4
 Luminaire Category:
 Lamp Catalog:
 Number of Lamps: 3
 Luminous Length (mm): 75
 Luminous Height (mm): 5
 Current: 0.041 A
 Power Factor: 0.463

Luminaire Description: 55-9663
 Lamp Description: LED
 Lumens per Lamp: 100
 Luminous Width (mm): 75
 Voltage: 219.9 V
 Power: 4.20 W

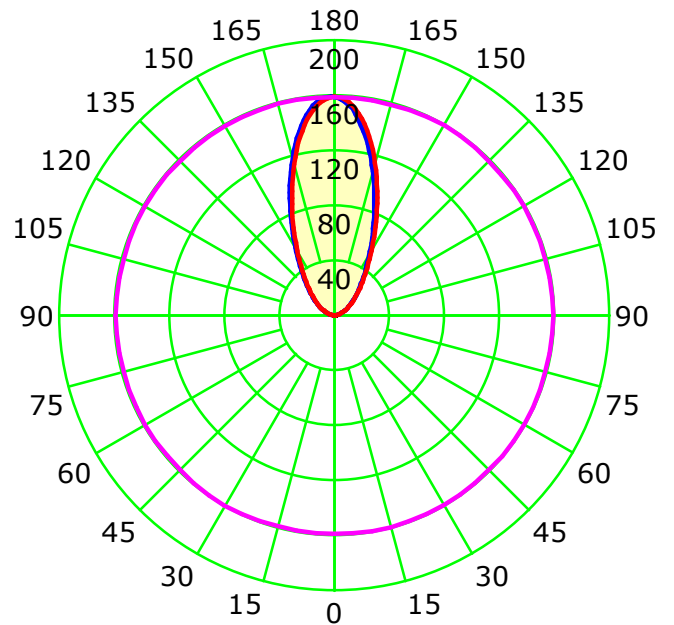
Photometric Results

CIE Class: Indirect
 Measurement Flux: 148.9 lm
 Downward Ratio: 0.00%
 Field Angle: H109.1 V108.1
 Luminaire Efficacy Rating (LER): 35
 Max. Intensity: 160.7 cd

Total Rated Lamp Lumens: 300.0 lm
 Efficiency: 49.64%
 Upward Ratio: 49.64%
 Beam Angle: H45.1 V45.5
 Central Intensity: 159.75 cd
 Pos of Max. Intensity: H150 V180

Picture Of Luminaire ...

Luminous Intensity Distribution Curve

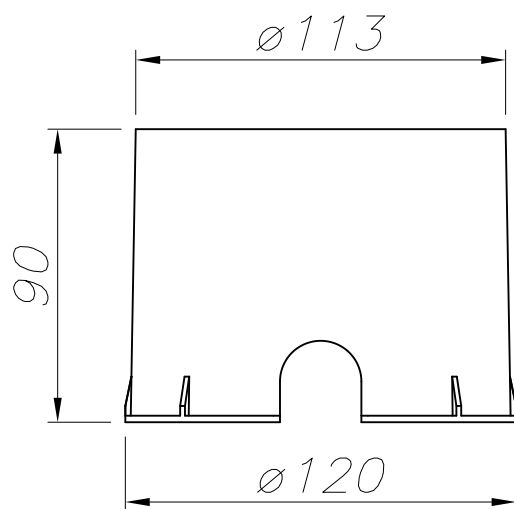
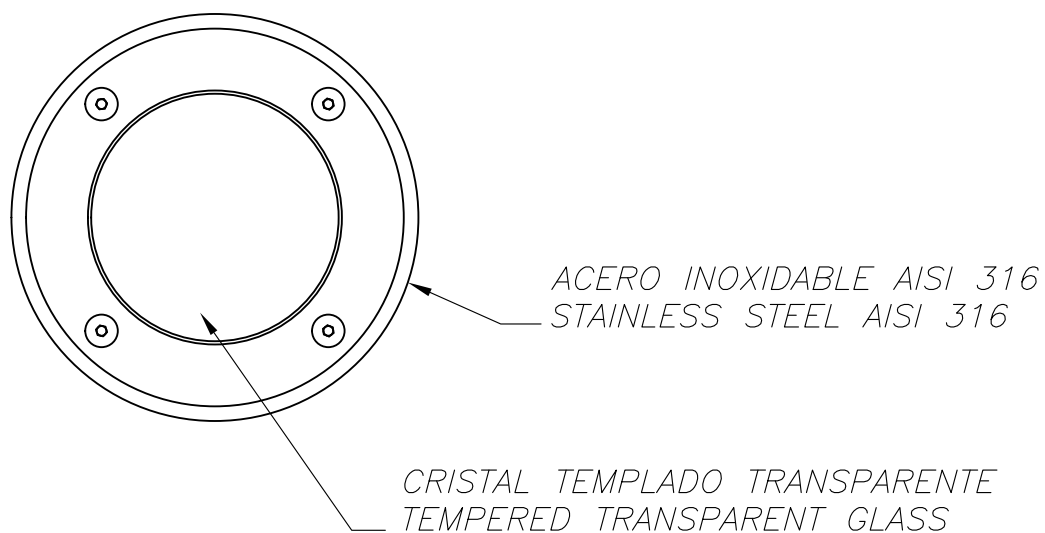
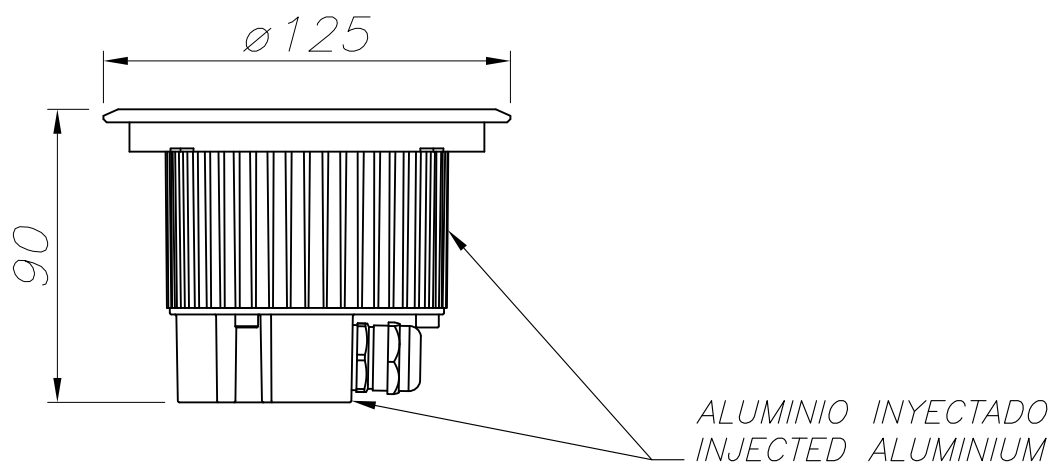


Unit: cd

— C0-C180 — C90-C270 — G180

C Plane (°):0.0-360.0: 15.0
 Test Lab: INVENTFINE
 Test Type: TYPE C
 Temperature:
 Operator:

Gamma Plane (°):0.0-180.0:1.0
 Test Device: GPM-1800B
 Distance: 6.435 m
 Humidity:
 Inspector:



CAJA DE EMPOTRAR
FLUSH FITTING BOX

①

10l / 15min

25cm

②

OFF

55-9663

8

ø87,5

55-9665/7

10

ø137

Ømin=5mm
Ømax=10mm

5Nm

③

④

A

B

⑤ OPTION WARM FILTER / FROSTED FILTER

①

FILTER

②

⑥

ON

55-9663

55-9665

55-9667

Max 20KN (2000Kg)

Max 18KN (1800Kg)