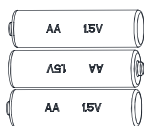
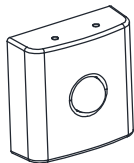
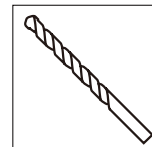


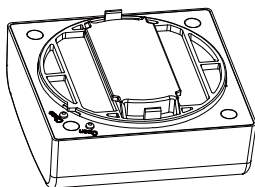
packing list



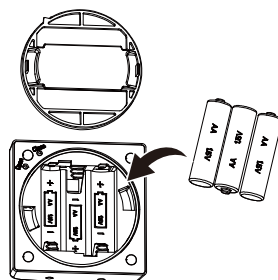
Tools list



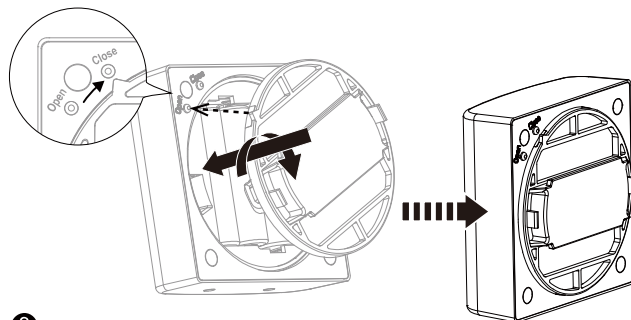
A Install on the wall with holder



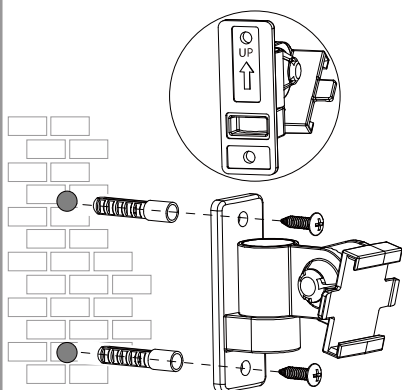
1



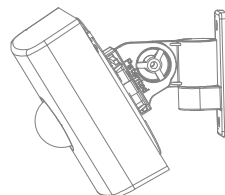
2



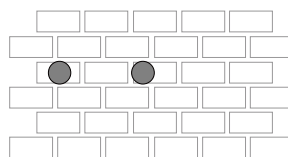
3



4



B Install on the wall without holder



C Place on the table/shelf

