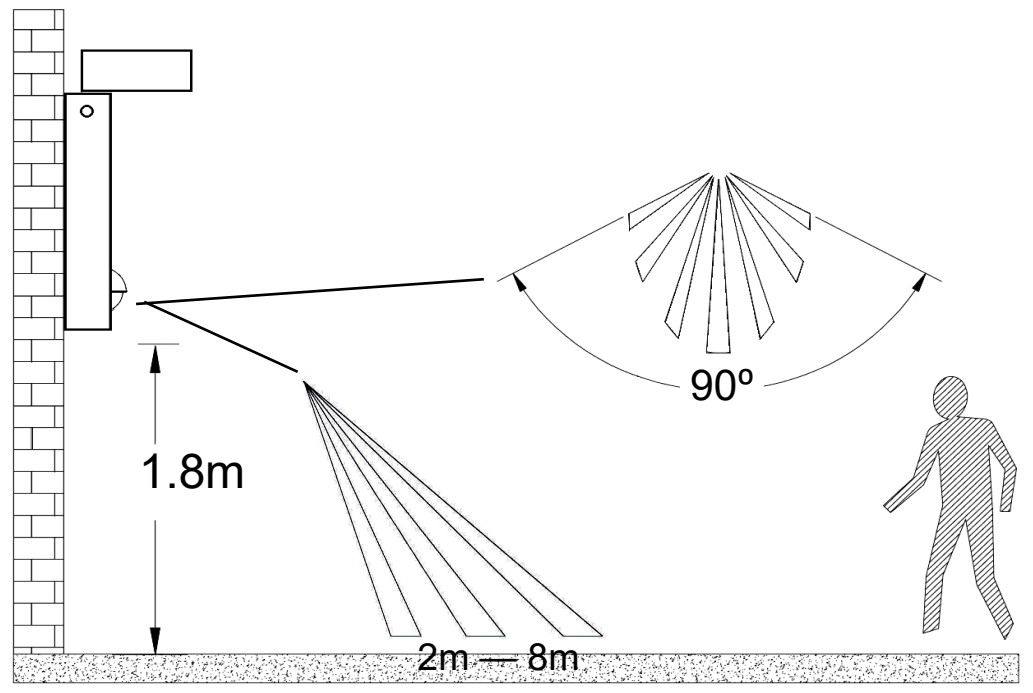
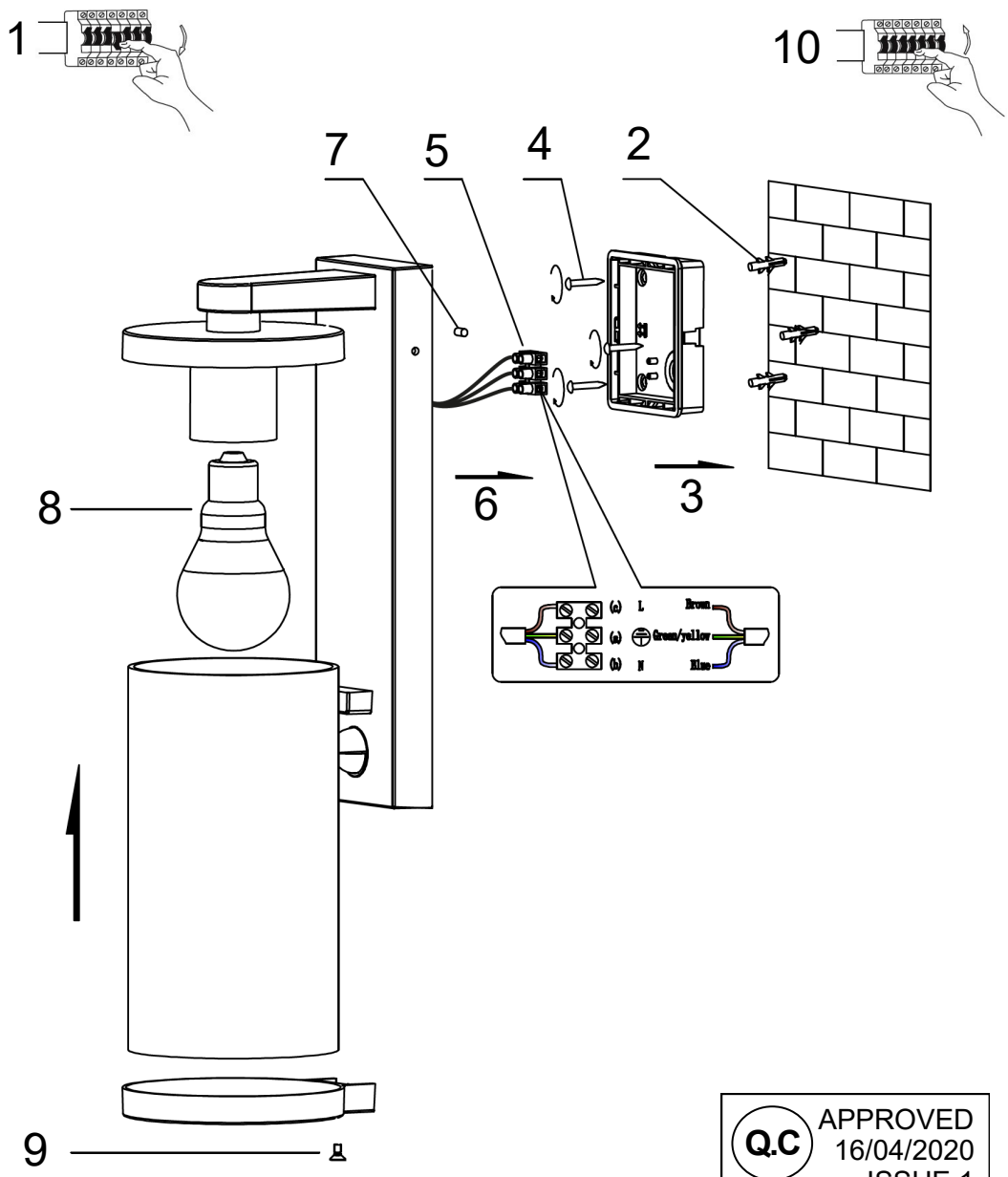


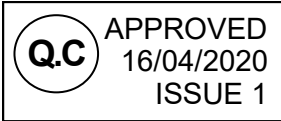


INSTALLATION INSTRUCTIONS



SENSOR TIME:
 MIN 10 +/- 5 -Seconds
 MAX 4 +/- 1 -Minute

LUX CONTROL:
 From Daylight to Night



SAFETY INFORMATION:

- Always turn off the mains supply before commencing the installation of this fitting.
- This is a Class 1 product and requires an Earth connection – 220-240 Volts – 50Hz AC.
- Do not modify or alter any product before or after installation. This will invalidate your warranty and may render the product un-safe.
- Do not stare at the operating lamp.
- This product must be installed in accordance with the national building regulations. If in doubt consult a competent electrician.
- The terminal block should be housed within the mounting plate or a suitable recess behind the fitting.
- Before replace the bulb ensure that is cooled down.



POSITION:

- This fitting is IP44 rated and suitable for installation in outdoor locations, we recommend to be installed under cover.
- Ensure sufficient access to the fitting to enable safe maintenance.
- The Luminaire should be positioned so that prolonged staring into the luminaire at a distance closer than 0.2M is not expected.

LAMP INFORMATION:

- This fitting is suitable for use LED bulbs in their maximum available equivalent wattage.
- This fitting is suitable for dimming when using incandescent or dimmable LED bulbs.
- Do not exceed the maximum wattage stated on the product.

AFTERCARE AND MAINTENANCE:

- Always disconnect power supply when servicing or cleaning .
- Clean only with a dry or slightly damp cloth.

SENSOR INSTRUCTIONS

INSTALLATION:

- The unit must be installed in a vertical position.
- For best results , fix the product to a solid surface 1.8m above the ground .
- Try to avoid positioning the unit at trees or shrubs, or where the motion of pets may be detected .
- The PIR sensor is more sensitive to movement across the detection area than movement towards it , therefore consider this when planning the position of the wall light .

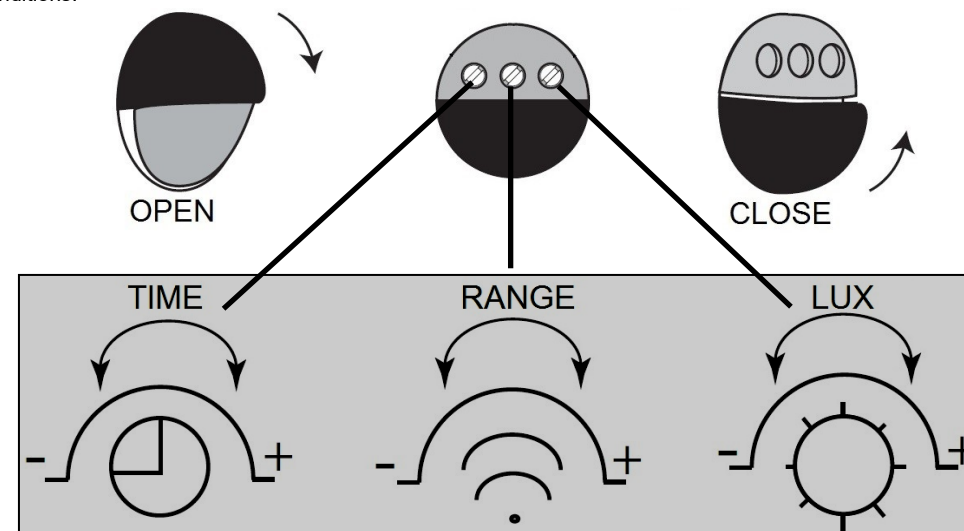
ADJUSTING the PIR sensor :

Flip the PIR control cover down to access the adjustment controls . Use a small flat head screwdriver to make any required adjustments . Please close the cover after adjustments are completed .

TIME: The duration the lamp remains on can be adjusted from approximately 10 seconds to 4 minutes. (+/- 5secs to +/- 1minute)

RANGE: The detection angle is set at an optimum 90° degrees . The distance of operation can be adjusted from approximately 2metres to a maximum of 8metres .

LUX: The light level the sensor will activate in can be set by the Lux control. If it is set to the maximum (+) then it will switch on in most light conditions from Darkness to Sunlight. If it is set to the minimum (-) then the sensor will normally activate at Dusk. This is the ideal setting for the sensor to switch on at dusk and in darker light conditions.



TROUBLESHOOTING:

A. Lamp Fails to light:

- 1.Check mains supply is on
- 2.Check all electrical connections are correct
- 3.Check sensor detection distance is correctly adjusted (If applicable).

B. Lamp stays on :

- 1.Check the sensor is not being triggered falsely by moving objects , vehicles , trees etc.