

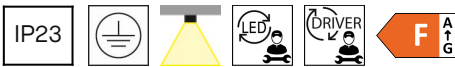


Caprice ø330mm Casambi

Ceiling fixture Caprice ø330mm Casambi LED 18.2W 2700K White 1258lm

Technical features

- Luminaire total power: 20W
- Real lumens: 1258 (3000K)
- Real lm/W: 63
- Correlated Colour Temperature (CCT): SW 2700-3000-4000K
- Lens / reflector angle: HORIZONTAL 111°
- Structure material: Steel
- Structure finish: White
- Diffuser material: Acrylic
- Diffuser finish: White
- Voltage / frequency: 220-240V/50-60Hz
- Dimming protocol: CASAMBI
- Power Factor: 0.92
- Useful life: 50,000h L80B20
- Warranty: 5 años



Luminotechnic features

- CRI: 90
- MacAdam steps: 5
- Photobiological risk: RGO

UGR		Lampholder	Quantity	Light source power (W)
S=0.250				
Ceiling / cavity	0.7	LED	1	18.2W
Walls	0.5			
Working Plane	0.2			
Room dimensions	X=4H, Y=8H			
UGR crosswise	22.1			
UGR lengthwise	22.1			

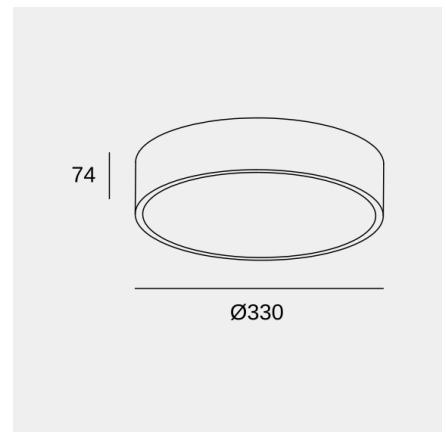


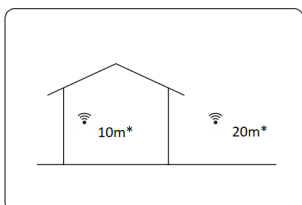
Image may not match reference. LedsC4 reserves the right to amend any of the product's components. The data related to flux, power and colour temperature may be subject to changes made by the manufacturer.



Caprice ø330mm Casambi

Ceiling fixture Caprice ø330mm Casambi LED 18.2W 2700K White 1258lm

Bluetooth range



The Bluetooth range largely depends on the obstacles and architectural features of a space, such as walls and building materials

Logistics



x 5

Net weight (kg): 1.26

Packaged weight (kg): 2.02

Packaging: 365mm x 95mm x 365mm

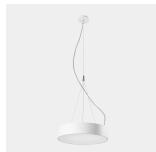
Image may not match reference. LedsC4 reserves the right to amend any of the product's components. The data related to flux, power and colour temperature may be subject to changes made by the manufacturer.



Caprice ø330mm Casambi

Ceiling fixture Caprice ø330mm Casambi LED 18.2W 2700K White 1258lm

Optional accessories



71-6196-14-14

White suspension kit

Structure material: Steel
Dimensions: Ø85 x NA x 20
Net weight (kg): 0.3

Image may not match reference. LedsC4 reserves the right to amend any of the product's components. The data related to flux, power and colour temperature may be subject to changes made by the manufacturer.