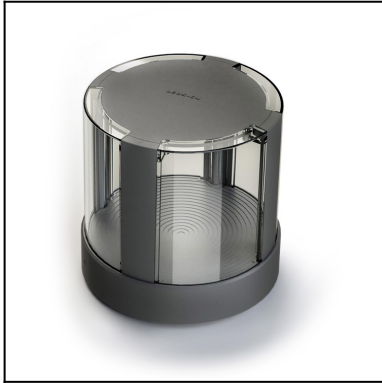


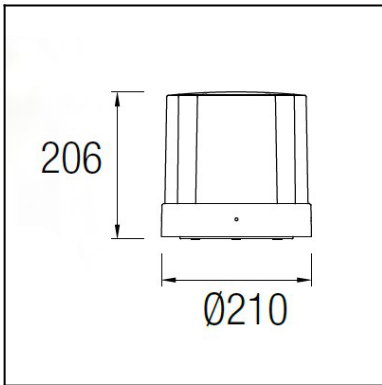
OUT 

COMPACT 10-9847-Z5-CL

Design by Francesc Vilaró



The photograph may not match the reference exactly. Please read the product description to identify the finish.

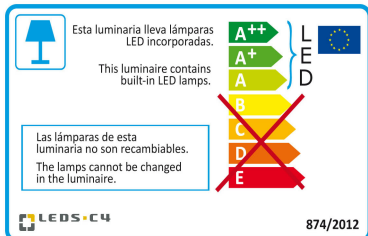


TECHNICAL CHARACTERISTICS

Type:	Lantern
IP Protection degrees:	IP65
IK Protection degrees:	IK10
Light source 1:	32 x LED 16.8W Warm White - 3000K 1801 lm ^(N) CRI 80
Total power consumption (W):	19.3W
Voltage / Frequency:	100-240V/50-60Hz
Warranty (Years):	2
Option to extend the guarantee (Years):	5
Units per box:	4
Net Weight (Kg):	2.16
EAN:	8435381425845
Stability:	>15°



Download photometric file .ldt / .ies



Click on image to download energy label

MATERIALS / FINISHES

Structure material:	High purity aluminium	Diffuser material:	Polycarbonate
Structure finish:	Urban grey	Diffuser finish:	Transparent

GEAR

Multi-voltage electronic gear included (100-240V / 50-60Hz)

Lm^(N): Nominal flow of light in actual working conditions. Its actual flow will depend on the environmental conditions and the efficiency of the optics and/or diffuser.

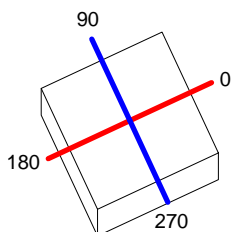
LEDS-C4 reserves the right to make the necessary technical changes they deem adequate, in order to improve the features of the product.

Please consult the sales team to clarify any doubt.

Luminaire		Measur.		Lamp		
Code	10-9847	Code	10-9847	Code	LED	
Name	10-9847	Name	10-9847	Number	1	
Line	IESNA-1995	Date	09-02-2015	Position		
Efficiency	100.00%	Coordinate system	CG	Total Flux	115.40 lm	
Maximum value	70.03 cd	Position	C=315.00 G=90.00	Asymmetrical		
Rectangular Luminaire	Length	99 mm	Width	99 mm	Height	100 mm
Rectangular Luminous Area	Length	99 mm	Width	99 mm	Height	100 mm
Horizontal Luminous Area	0.009801 m2	Emitting area on Plane 180°		0.009900 m2		
Emitting area on Plane 0°	0.009900 m2	Emitting area on Plane 270°		0.009900 m2		
Emitting area on Plane 90°	0.009900 m2	Glare area at 76°		0.011977 m2		
Symmetry Type	Asymmetrical	Maximum Gamma Angle		90		
Measurement Distance	0.00	Measurement Flux		115.37 lm		
Operator		Source voltage				
Temperature	25.00 °C	Source current				
Humidity	60.00 %	Photocell				
Notes						

Luminaire Lamps						
Line	Code	Name	Flux [lm]	Pow. [W]	Q.ty	
IESNA-1995	LED	11 - 18.90 W	115.40	18.90	1	
C.I.E.	10 23 45 100 100	D DIN 5040		A10		
F UTE	--	B NBN		BZ 10		

99mm x 99mm



C Halfplanes

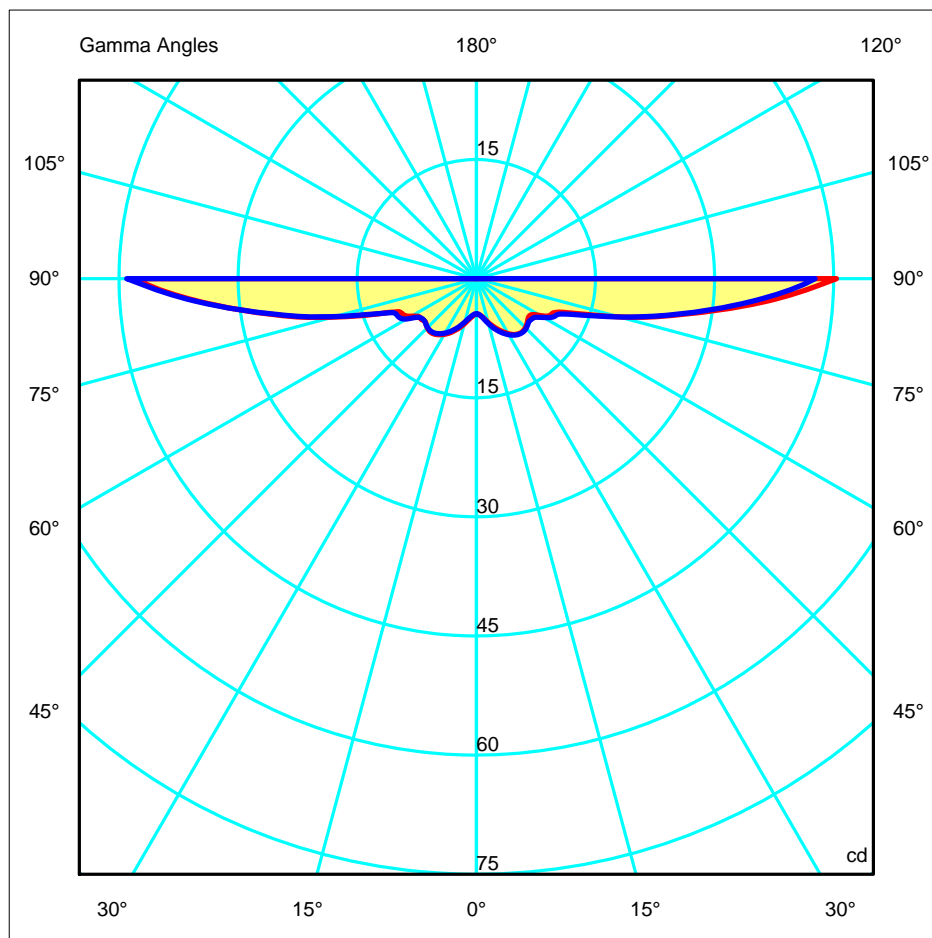
180.0 — 0.0 (Red line)

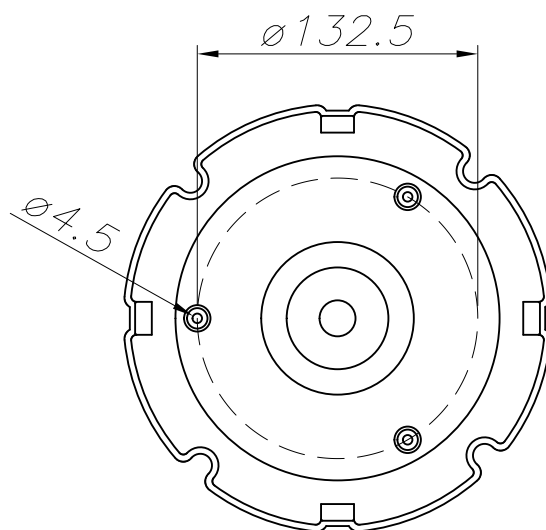
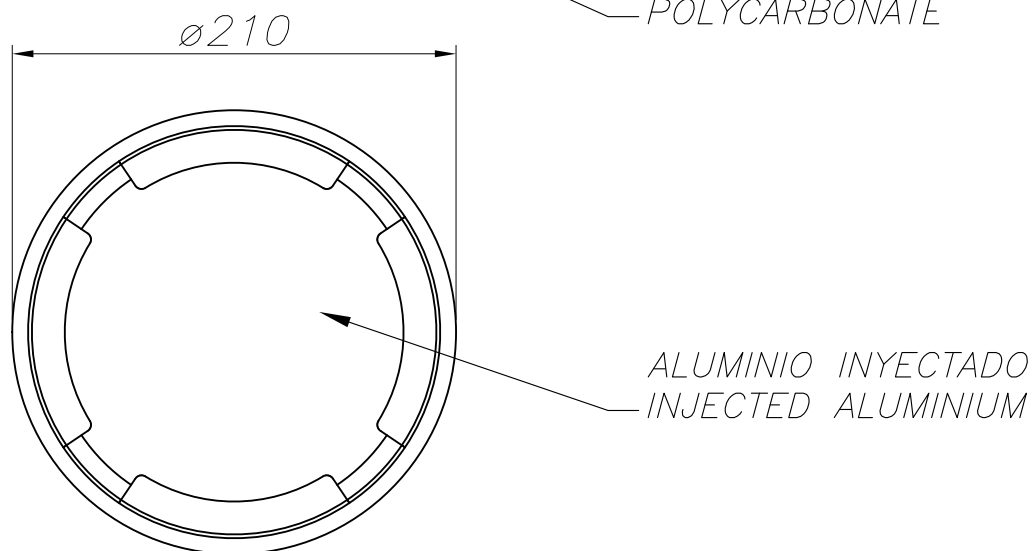
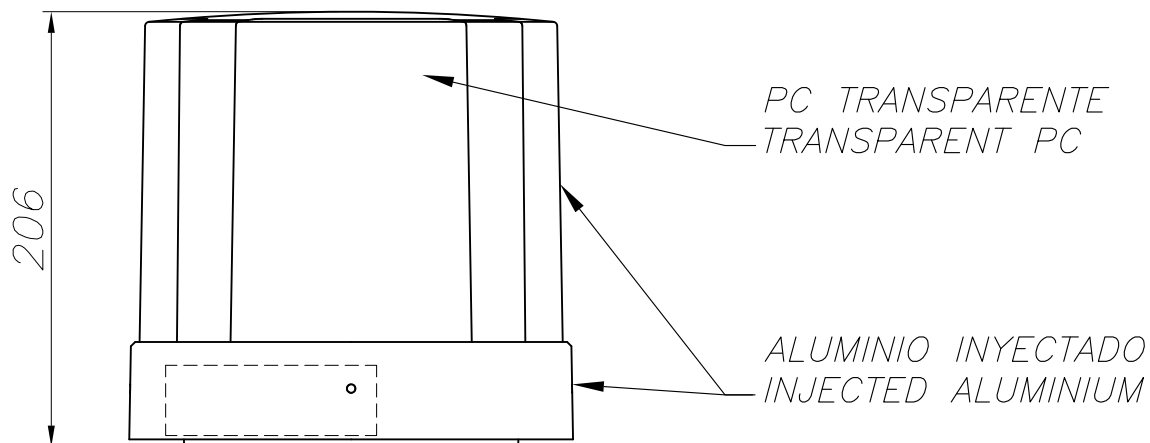
270.0 — 90.0 (Blue line)

ULOR 0.00 %

DLOR 100.00 %

RN 0.00 %





PLANTILLA DE INSTALACIÓN
INSTALLATION TEMPLATE

