



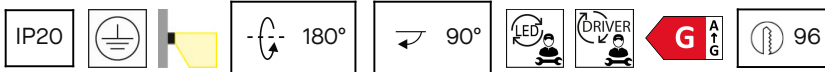
## Gamma Mix&Match Square

Josep Patsi

Reading lights Gamma Mix&Match Square LED 3.1 LED warm-white 2700K ON-OFF White 137lm

### Technical features

- Luminaire total power: 3.1W
- Real lumens: 137
- Real lm/W: 44
- Correlated Colour Temperature (CCT): LED warm-white 2700K
- Lens / reflector angle: MEDIUM 31°
- UGR: <=16
- Structure material: Aluminium
- Structure finish: White
- Voltage / frequency: 100-240V/50-60Hz
- Dimming protocol: ON-OFF
- Power Factor: 0.40
- Useful life: 50,000h L80B20
- Warranty: 5 años
- Easily recyclable luminaire



### Luminotechnic features

- CRI: 80
- MacAdam steps: 3
- Photobiological risk: RG2
- UGR crosswise: 0.1
- UGR lengthwise: 0.1

Lampholder	Quantity	Light source power (W)	Correlated Colour Temperature (CCT)
LED	1	2.2W	LED warm-white 2700K

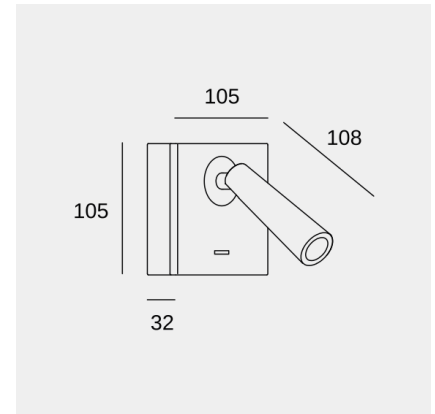


Image may not match reference. LedsC4 reserves the right to amend any of the product's components. The data related to flux, power and colour temperature may be subject to changes made by the manufacturer.

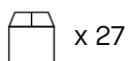


## Gamma Mix&Match Square

Josep Patsi

Reading lights Gamma Mix&Match Square LED 3.1 LED warm-white 2700K ON-OFF White 137lm

### Logistics



x 27

Net weight (kg): 0.48

Packaged weight (kg): 0.73

Packaging: 170mm x 110mm x 145mm

### Light application

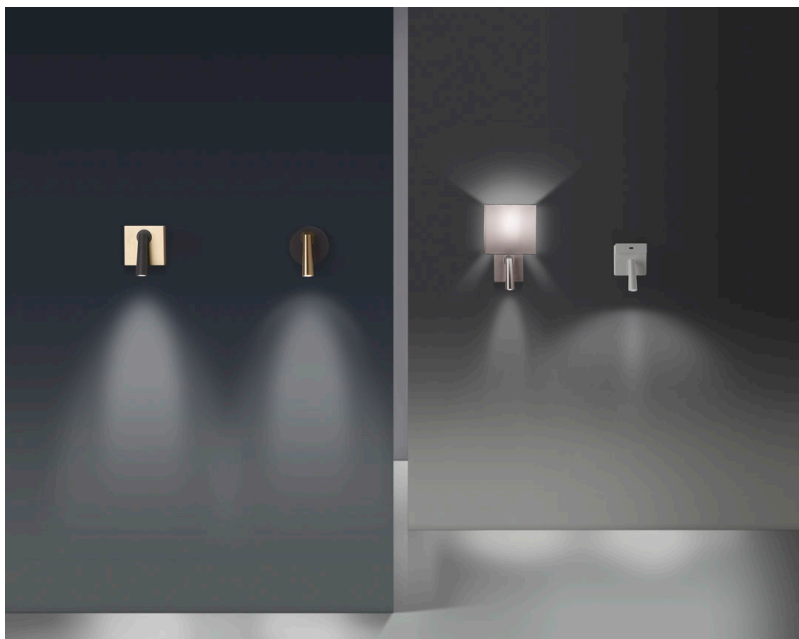


Image may not match reference. LedsC4 reserves the right to amend any of the product's components. The data related to flux, power and colour temperature may be subject to changes made by the manufacturer.